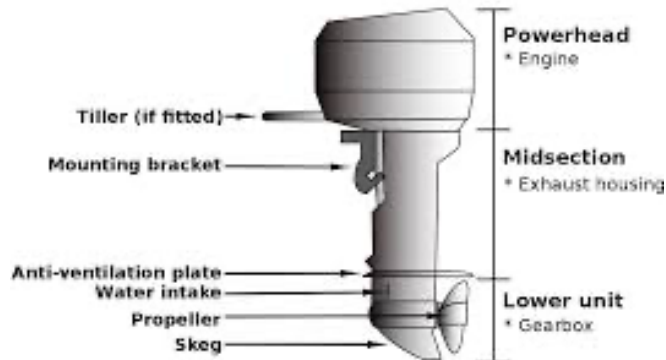


## OPTIONAL PROP AND SKEG INSURANCE

We recognize that although we require our renters to be experienced boaters, many of our renters are unfamiliar with the waters here in the Florida Keys, which are very difficult to navigate.

In an effort to keep our customers in deep water and away from the many shallow areas and sandbars that we have in the keys, and to make navigation easier for everyone, Anchors Away has installed new touch screen Garmin GPS units on all of our boats. Each Garmin is pre-programmed with routes to all of our suggested points of interest, however, unfortunately due to the numerous shallow spots in the area, it is not uncommon to have a customer come back with damage to the Prop and Skeg.

Our goal, along with keeping our customers safe on the water, is to make our customers' experience as stress free as possible, and we truly dislike having to charge our customers for damages to the boat at the end of a great day on the water. Therefore, we offer and encourage our customers to purchase the optional prop and skeg insurance, which if added to the reservation would cover any damages to the prop and / or skeg ( very bottom of engine, see diagram below) in the event that a customer hits bottom and damages the prop and / or skeg.



Whether the customer chooses to take the optional prop and skeg insurance or not, we will always come out and tow you out of the shallow area free of charge. However, the cost of the prop and skeg if damaged can get quite costly.

In case the prop is damaged and you decline the optional insurance you will be charged \$250 to replace the damaged prop.

In the case that the skeg is damaged, and you decline the optional insurance you will be charged \$500 - \$700 to repair the skeg.

Therefore, if you damaged both the prop and the skeg, it would be your responsibility to cover the cost to replace the Prop and repair the Skeg which would result in a total cost of between \$750 and \$950 per engine, unless you purchase the prop and skeg insurance.

For a single day rental, the cost of the optional prop and skeg insurance is \$75 /day.

We offer discounted per day rates for multi day rentals. Please see pricing for multi day rentals below:

- For a 2 day rental the cost of the optional prop and skeg insurance is \$125
- For a 3 day rental the cost of the optional prop and skeg insurance is \$150
- For a 4 day rental the cost of the optional prop and skeg insurance is \$175
- For a 5 day rental the cost of the optional prop and skeg insurance is \$200
- For a 6 day rental the cost of the optional prop and skeg insurance is \$225
- For a 7 day rental the cost of the optional prop and skeg insurance is \$250
- For an 8 day rental the cost of the optional prop and skeg insurance is \$275
- For a 9 day rental the cost of the optional prop and skeg insurance is \$300
- For a 10 day rental the cost of the optional prop and skeg insurance is \$325
- For an 11 day rental the cost of the optional prop and skeg insurance is \$350
- For a 12 day rental the cost of the optional prop and skeg insurance is \$375
- For a 13 day rental the cost of the optional prop and skeg insurance is \$400
- For a 14 day rental the cost of the optional prop and skeg insurance is \$425
- For a 15 day rental or more, the cost of the optional prop and skeg insurance is \$450

If you purchase the insurance for a multi day rental you will be covered for the duration of your rental. The insurance will cover up to 3 incidents during the duration of your rental. If you have more than 3 incidents you will be responsible to cover any and all expenses for any additional incidents.

**Example:** If you were to run aground and we had to replace the prop and then you took the boat out the next day and damaged the second prop, you would be covered for the second prop as well. This also would apply if you damaged a third prop. In the very unlikely event you run aground and damage the Prop and / or Skeg more than 3 times during the duration of your rental, the insurance you purchased will not cover you, as the insurance will only cover up to 3 incidents.

We highly recommend adding the optional prop and skeg insurance to your rental, especially if you are not very familiar with the local waters as it is very easy to run aground.